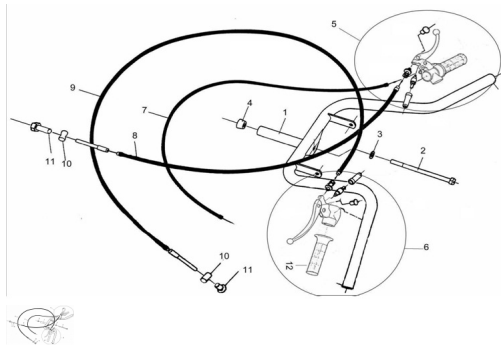


GRUPO MANUBRIO



Rating: Not Rated Yet

Price:

Variant price modifier:

Base price with tax:

Price with discount:

Salesprice with discount:

Sales price:

Sales price without tax:

Discount:

Tax amount:

[Ask a question about this product](#)

Description	Ref.	Título	Código
	1		
	2	Tornillo sujeción manubrio	
	3	Arandela plana ø8	100408
	4	Cono de bloqueo	
	5	C.comando acelerador c/stop	
	6	C.comando	

Ref.	Título	Código
7	C.cable acelerador	
8	C.cable freno delantero	
9	C.cable freno trasero	
10	Guía varilla cable de freno	
11	Tuerca registro freno	
12	Manopla	