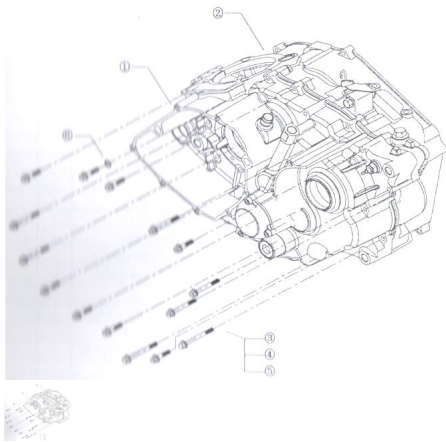


## SEMICARTER IZQUIERDO Y DERECHO



Rating: Not Rated Yet

**Price:**

Variant price modifier:

Base price with tax:

Price with discount:

Salesprice with discount:

Sales price:

Sales price without tax:

Discount:

Tax amount:

[Ask a question about this product](#)

Description	Ref.	Título	Código
	1	ENS. DE S	
	2	ENS. DE S	
	3	TORNILLO CON FLANGE CABEZA EXAG. M6 X 30	11-80105
	4	TORNILLO	11-80120

Ref.	Título	Código
		CABEZA HEXAGON M6 X 50
5	TORNILLO CABEZA HEXAGON M6 X 60	11-80125
6	JUNTA 6	